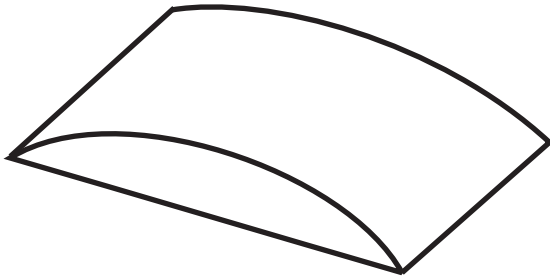


# PEARL COLLECTION

BRACELET CURVE DISPLAY

EXTERNAL DIMENSION

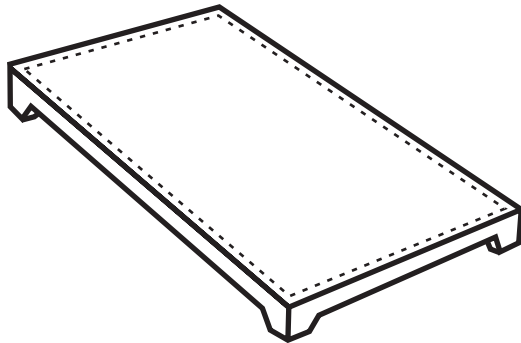


- \* **PEA 001** 200mm x 122mm x 35mm high
- \* **PEA 002** 200mm x 90mm x 35mm high
- \* **PEA 003** 200mm x 25mm x 35mm high

---

TABLE STYLE RAISER FINISHED  
ON TOP WITH STITCHING AROUND EDGE

EXTERNAL DIMENSION

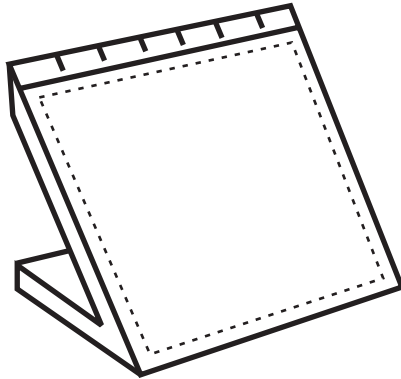


- \* **PEA 010** 217mm x 137mm x 22mm high
- \* **PEA 011** 210mm x 154mm x 22mm high

---

PENDANT DISPLAY TO HOLD THREE PENDANTS IN A ROW  
FINISHED TO FRONT WITH STITCHING AROUND EDGE

EXTERNAL DIMENSION

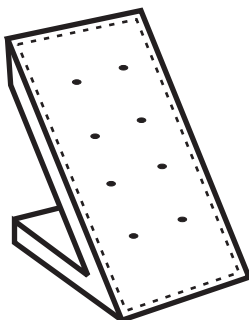


- \* **PEA 020** 150mm wide x 105mm high x 85mm front to back

---

EARRING DISPLAY TO HOLD FOUR PAIR OF STUD EARRINGS  
FINISHED TO FRONT WITH STITCHING AROUND EDGE

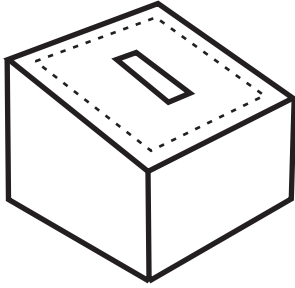
EXTERNAL DIMENSION



- \* **PEA 031** 65mm wide x 105mm high x 85mm front to back

# PEARL COLLECTION

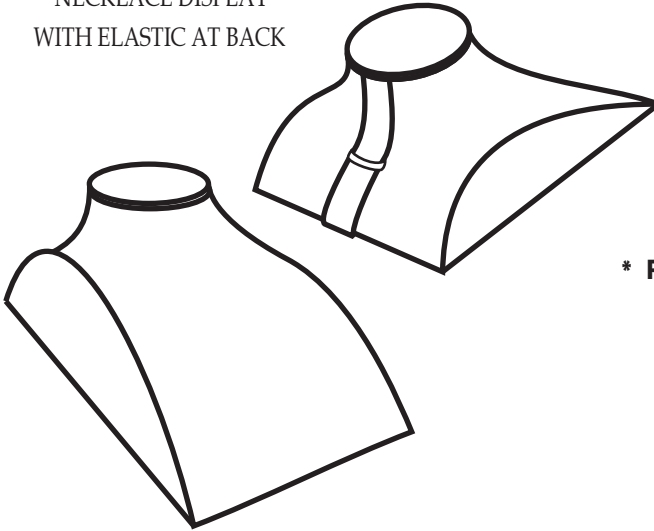
SINGLE RING DISPLAY BLOCKS CLIP FITTING FINISHED  
BY ADDING STITCHING TOP TO SURFACE



## EXTERNAL DIMENSION

- \* **PEA 040** 45mm x 45mm x 30mm sloping to 20mm
  - \* **PEA 041** 45mm x 45mm x 40mm sloping to 30mm
  - \* **PEA 042** 45mm x 45mm x 50mm sloping to 40mm
  - \* **PEA 043** 45mm x 45mm x 60mm sloping to 50mm
- 

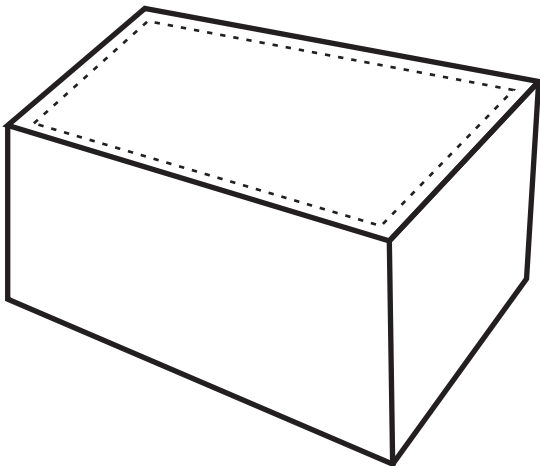
NECKLACE DISPLAY  
WITH ELASTIC AT BACK



## EXTERNAL DIMENSION

- \* **PEA 050** 195mm x 142mm x high 100mm x high side 52mm
- 

RAISE BLOCK AVAILABLE IN DIFFERENT SIZES SQUARE  
CORNER FINISH STITCHING ON TOP



## EXTERNAL DIMENSION

- \* **PEA 060** 150mm x 120mm x high 102mm
  - \* **PEA 061** 250mm x 170mm x high 75mm
  - \* **PEA 062** 350mm x 220mm x high 50mm
-